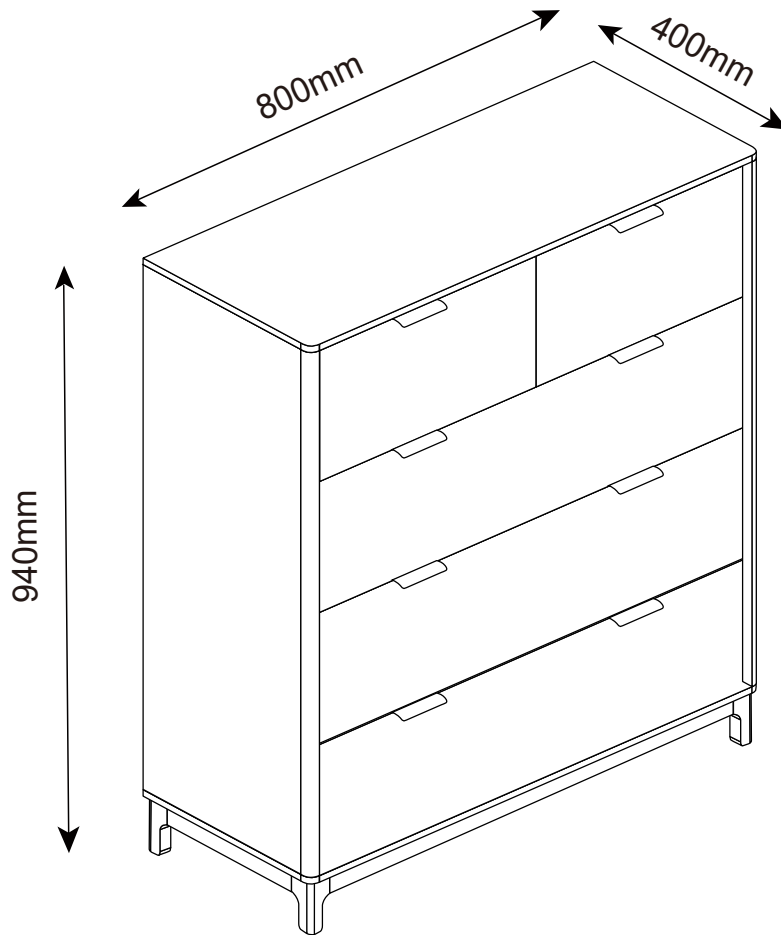


# ASSEMBLY INSTRUCTION

## TARLOW 5 DRAWER TALL CHEST

Item Code 85415






Imported by JWA Furniture Pty Ltd, Qld, Brisbane Australia.  
For any assistance with assembly or for missing parts please refer to your receipt

# PRE-ASSEMBLY PREPARATION

## Before you start:





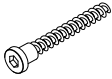
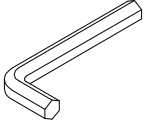
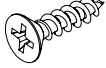
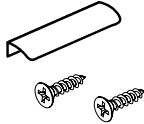
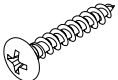
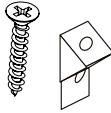
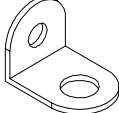
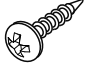

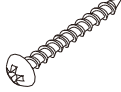

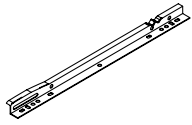
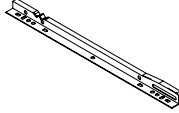
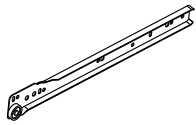
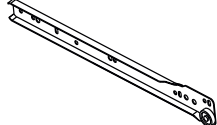
1. Choose a clean, level, spacious assembly area. Avoid hard surfaces that may damage the product
2. Take care when lifting. Product should be assembled as near as possible to the point of use
3. Ensure that you have all required contents for complete assembly
4. Always read the assembly instructions carefully before beginning assembly
5. Keep all hardware parts and packaging out of reach of small children
6. Do not over tighten the screws and bolts as this may damage the threads
7. Assembly is to be carried out by a competent adult(s) ONLY
8. During assembly, children should be kept away from the product due to possible risk to injury
9. Do not use this item if any components are missing or damaged
10. Please keep the instructions for future reference.

		
Allow 30 min	For 2 person	Additional tools required

⚠ **WARNING**

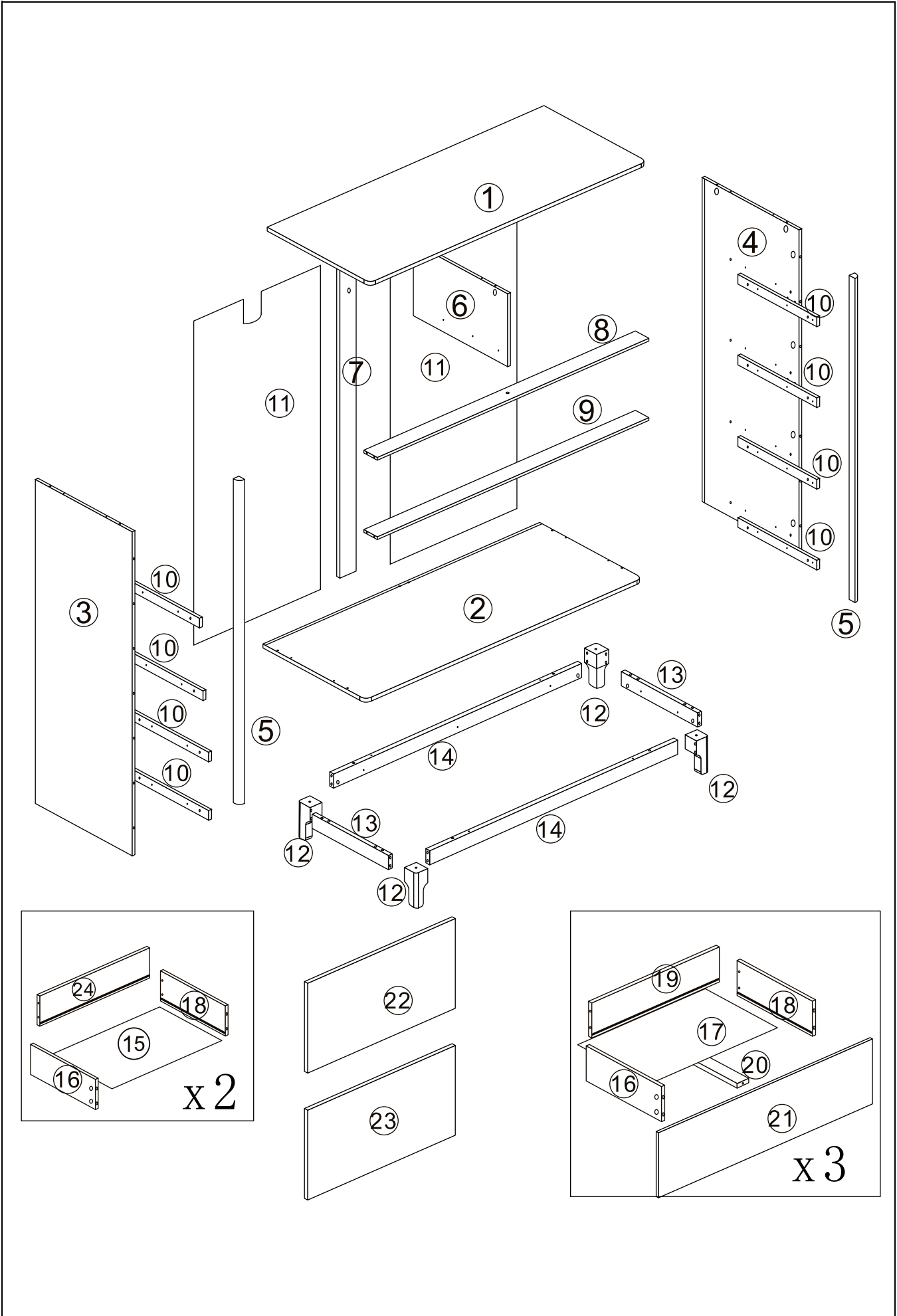
		<p><b>Children have died from furniture tipover.</b></p> <ul style="list-style-type: none"> <li>ALWAYS secure it with an anchor device.</li> <li>NEVER allow children to stand, climb or hang on drawers, doors, or shelves.</li> <li>NEVER open more than one drawer at a time.</li> <li>Place heavy items down low</li> </ul> <p><b>NEVER put a TV on this furniture</b> </p> <p style="color: red; font-size: 0.8em;"><b>This is a permanent label. Do not remove!</b></p>
---	---	--

## PARTS LIST

<p><b>A</b> Cam Bolt x 51pcs</p> 	<p><b>B</b> Cam Lock x 51pcs</p> 	<p><b>C</b> Wooden Dowel Φ6x30mm x 50pcs</p> 	<p><b>D</b> Screw M4x35mm x 25pcs</p> 
<p><b>E</b> Screw M7x40mm x 12pcs</p> 	<p><b>F</b> Allen Key M4 x 1pc</p> 	<p><b>G</b> Screw M3.5x12mm x 80pcs</p> 	<p><b>H</b> Handle Set x 8pcs</p> 
<p><b>I</b> Screw M4x35mm x 16pcs</p> 	<p><b>J</b> Plastic Wedge x 8pcs</p> 	<p><b>K</b> Metal Brackets x 10pcs</p> 	<p><b>L</b> Screw M4x14mm x 2pcs</p> 
<p><b>M</b> Tip Kit x 2pcs</p> 	<p><b>N</b> Screw M4x50mm x 8pcs</p> 	<p><b>O</b> Wall Anchor M6x35mm x 2pcs</p> 	<p><b>DL</b> x 5pcs</p> 
<p><b>DR</b> x 5pcs</p> 	<p><b>CL</b> x 5pcs</p> 	<p><b>CR</b> x 5pcs</p> 	

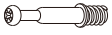


## PARTS LIST

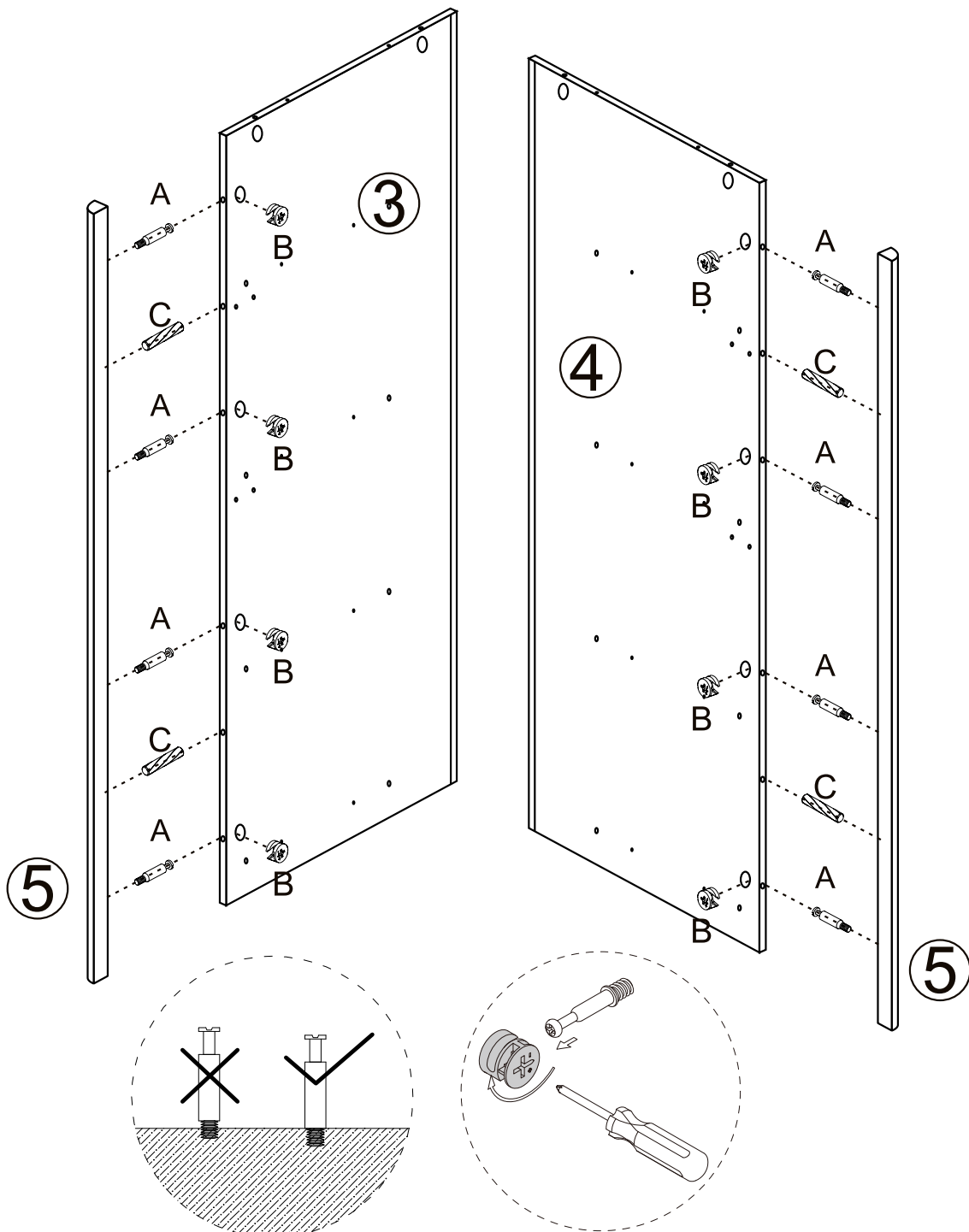
1	Top Panel x 1 pcs	2	Bottom Panel x 1 pcs
3	Side Panel (Left) x 1 pcs	4	Side Panel (Right) x 1 pcs
5	Poster x 2 pcs	6	Middle Divider x 1 pcs
7	Back Rail x 1 pcs	8	Drawer Bar x 1 pcs
9	Drawer Bar x 1 pcs	10	Spacer x 8 pcs
11	Back Panel x 2 pcs	12	Leg x 4 pcs
13	Base Side Rail x 2 pcs	14	Base Front&Back Rail x 2 pcs
15	Top Drawer Bottom Panel x 2pcs	16	Drawer Left Panel x 5pcs
17	Drawer Bottom Panel x 3pcs	18	Drawer Right Panel x 5pcs
19	Drawer Back Panel x 3pcs	20	Drawer Bottom Rail x 3pcs
21	Drawer Front Panel x 3pcs	22	Top Drawer Front Panel(Left) x 1 pcs
23	Top Drawer Front Panel(Right) x 1 pcs	24	Top Drawer Back Panel x 2 pcs



STEP 1:

- Prepare a protected surface with a blanket or cardboard.
- Assemble the Poster 5 with side panel 3,4 by hardware A,B,C.



Hardware Needed		
A		x8
B		x8
C		x4

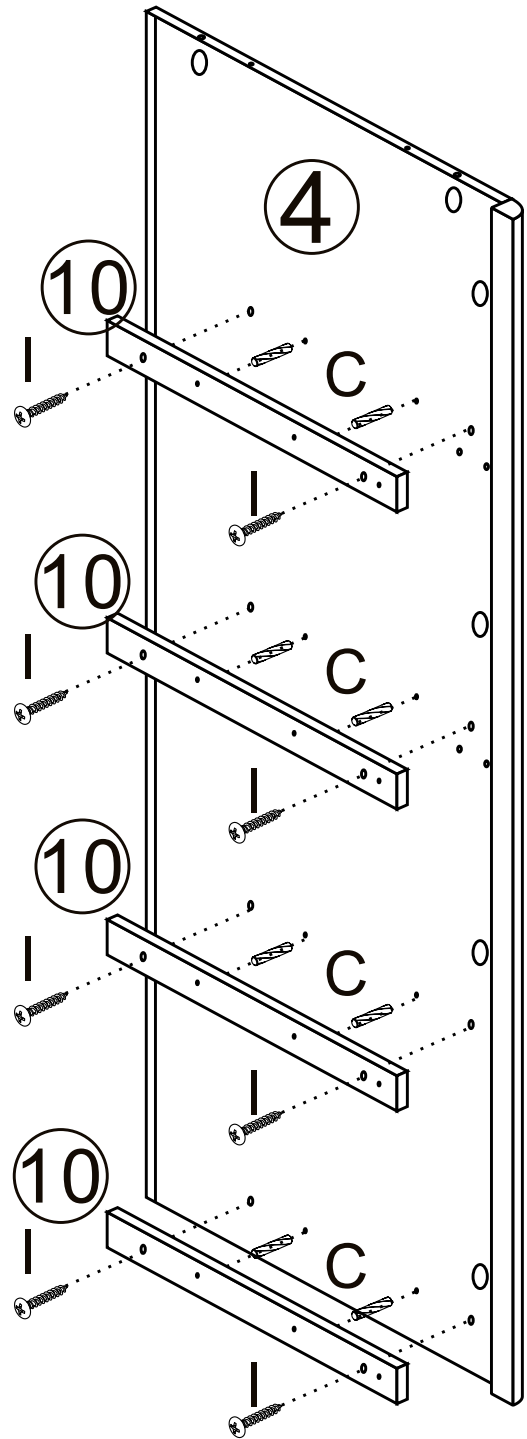
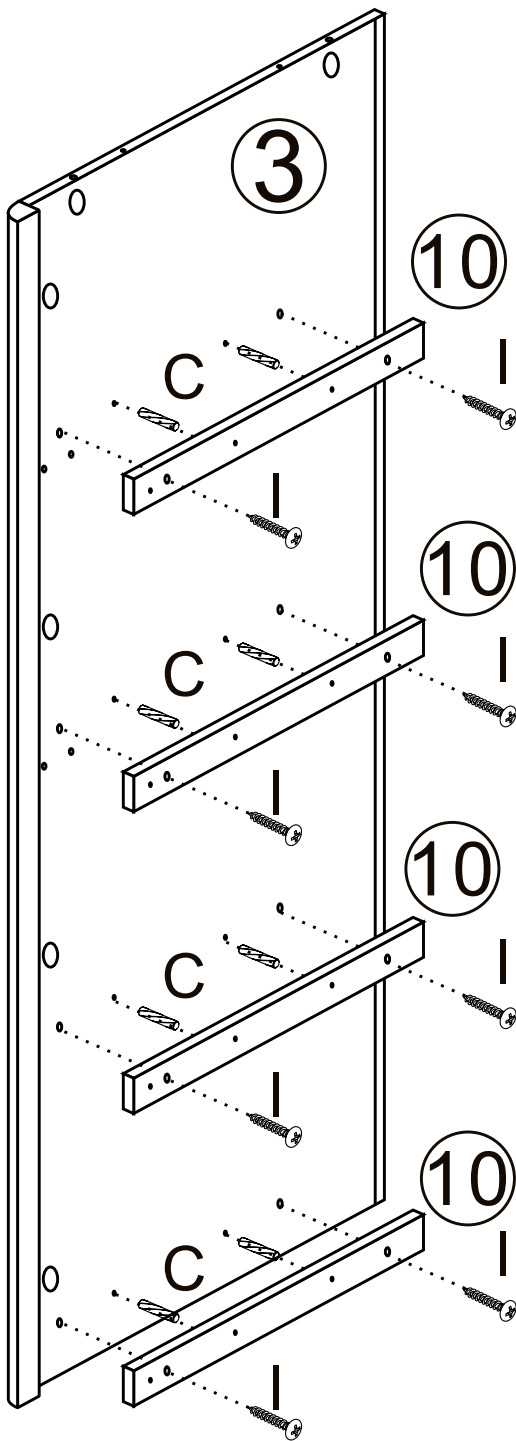


STEP 2:

- Attach Spacer 10 onto side panels by hardware C,I.



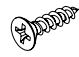
Hardware Needed

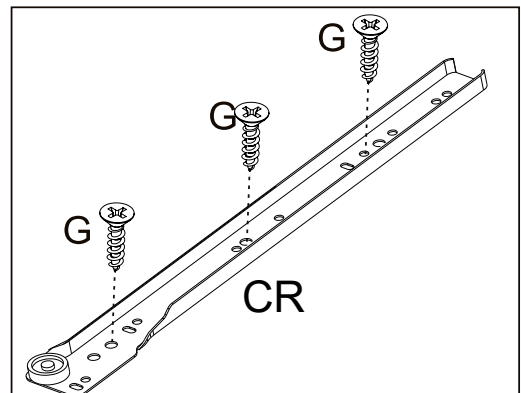
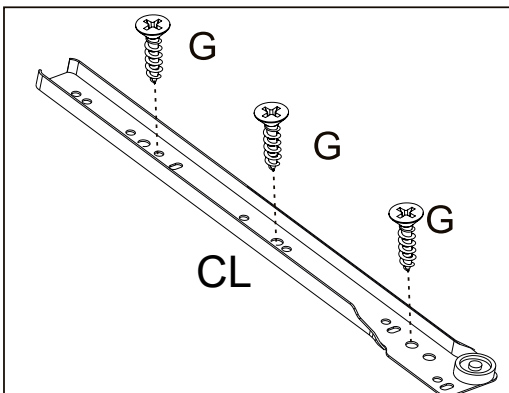
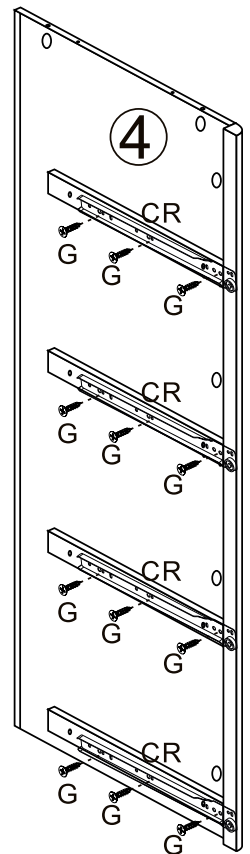
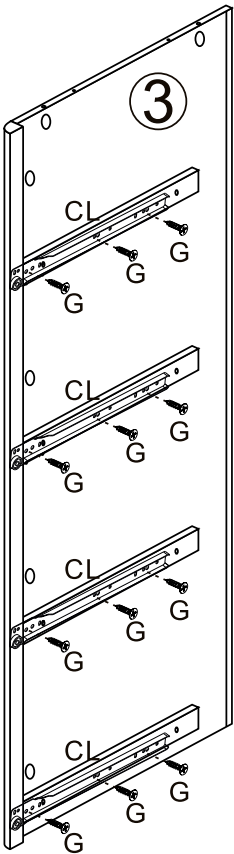
I		x16
C		x16



**STEP 3:**

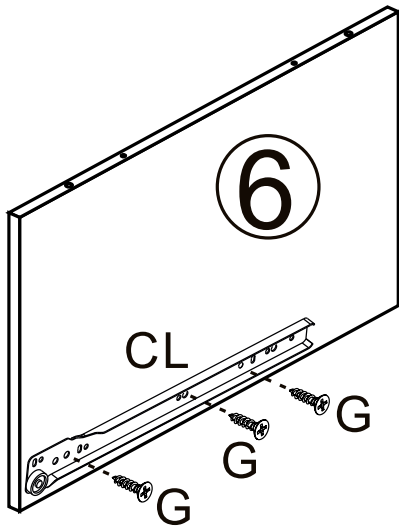
- Secure CL,CR onto side panels by hardware G.



Hardware Needed		
CL		x4
CR		x4
G		x24

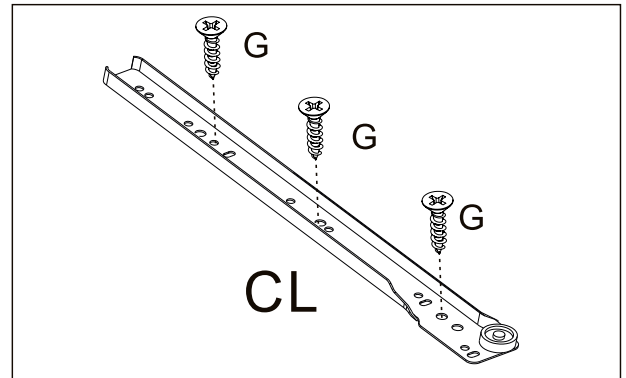


**STEP 4:**

- Secure CL onto Middle Divider 6 right side by hardware G.

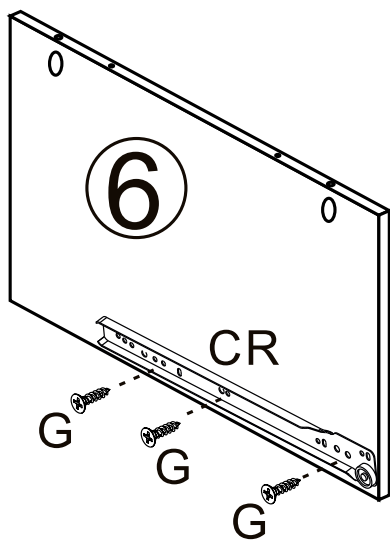



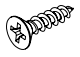
Hardware Needed		
CL		x1
G		x3

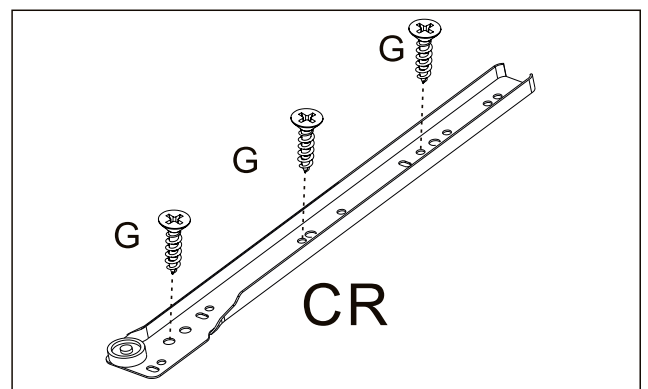


**STEP 5:**

- Secure CR onto Middle Divider 6 left side by hardware G.



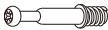


Hardware Needed		
CR		x1
G		x3

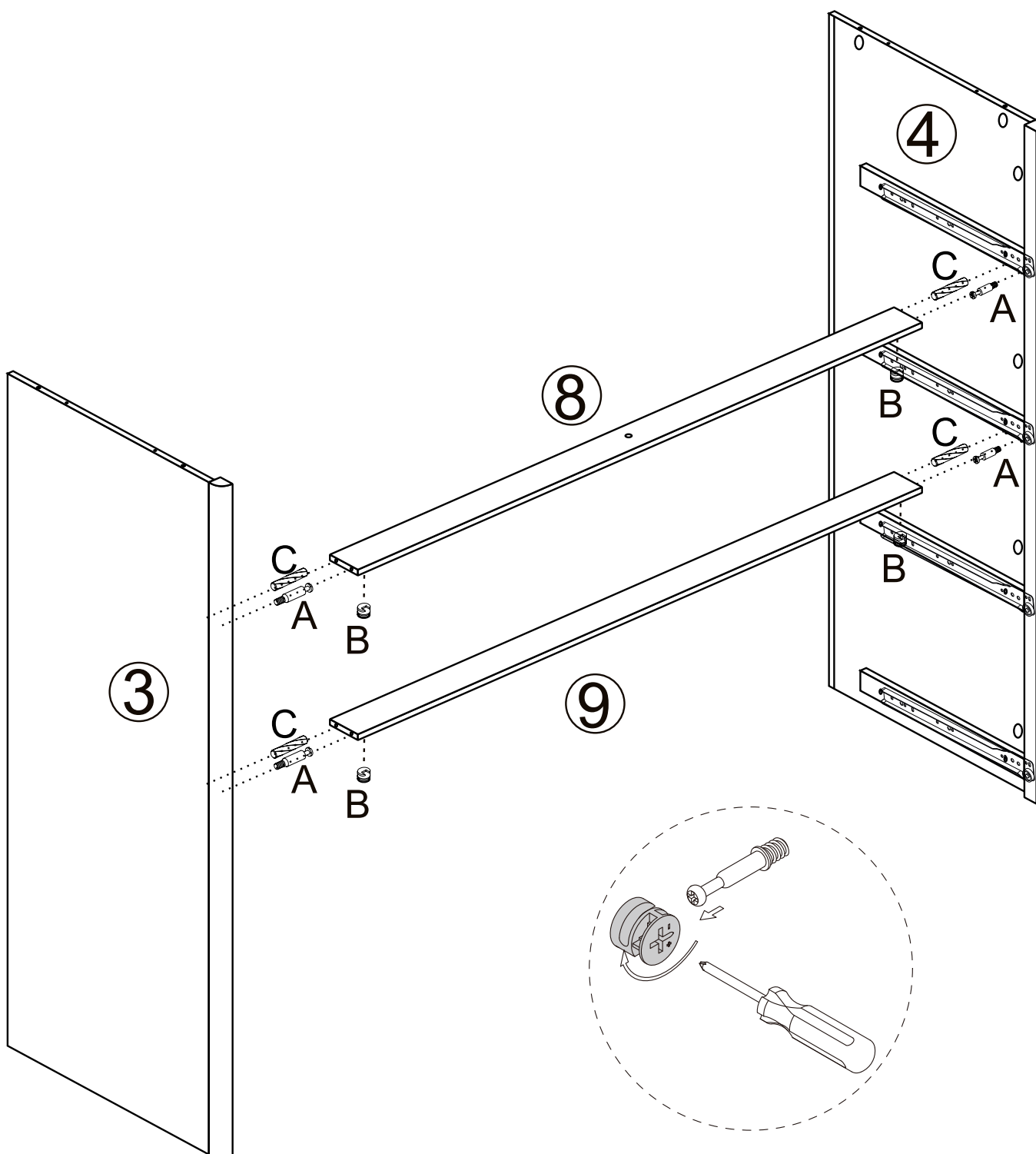


STEP 6:

- Fix the Drawer Bar 8,9 with side panels by hardware A,B,C.

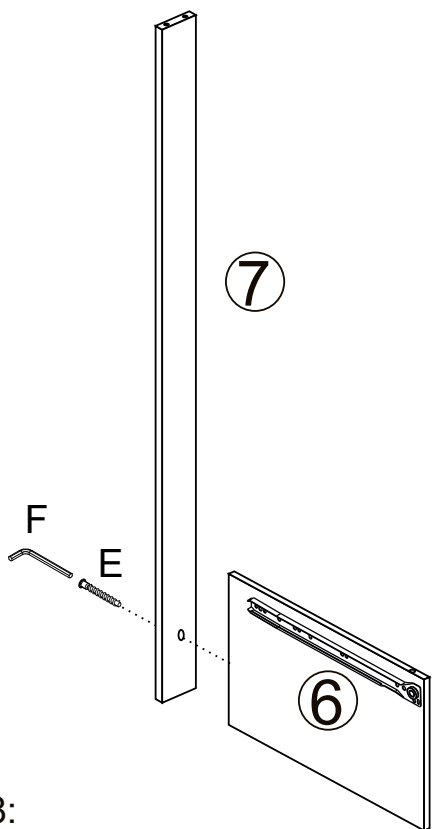
Hardware Needed

A		x4
B		x4
C		x4



**STEP 7:**

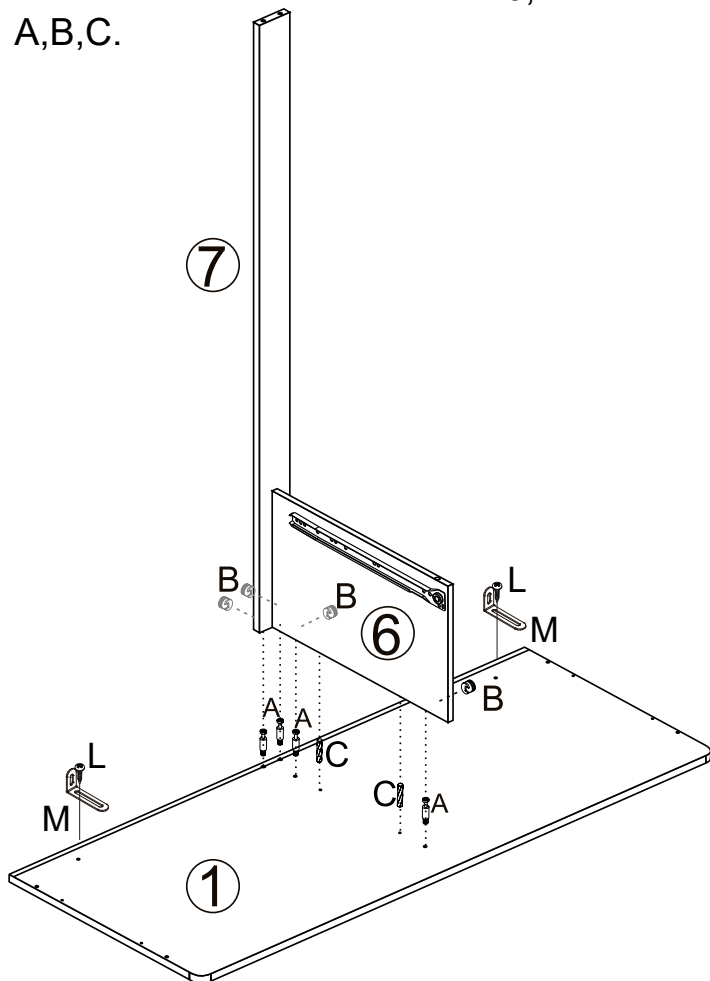
- Assemble Middle Divider 6 with Back Rail 7 by hardware E.

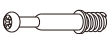






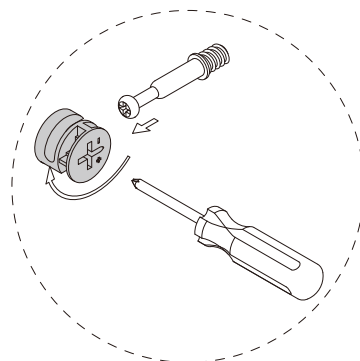
Hardware Needed		
E		x1
F		x1

**STEP 8:**

- Attach the Tip Kit M onto Top Panel 1 by hardware L.
- Assemble the Middle divider 6, Back Rail and Top Panel 1 by hardware A, B, C.

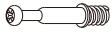






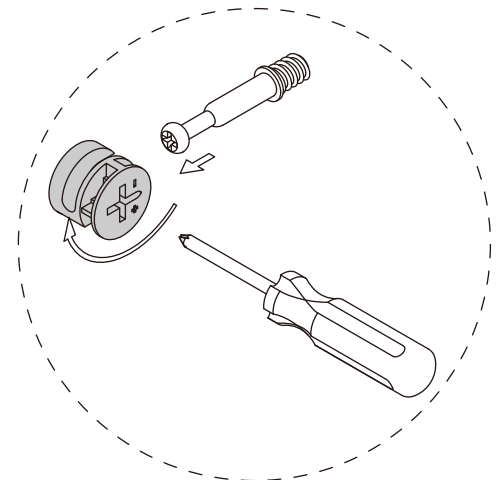
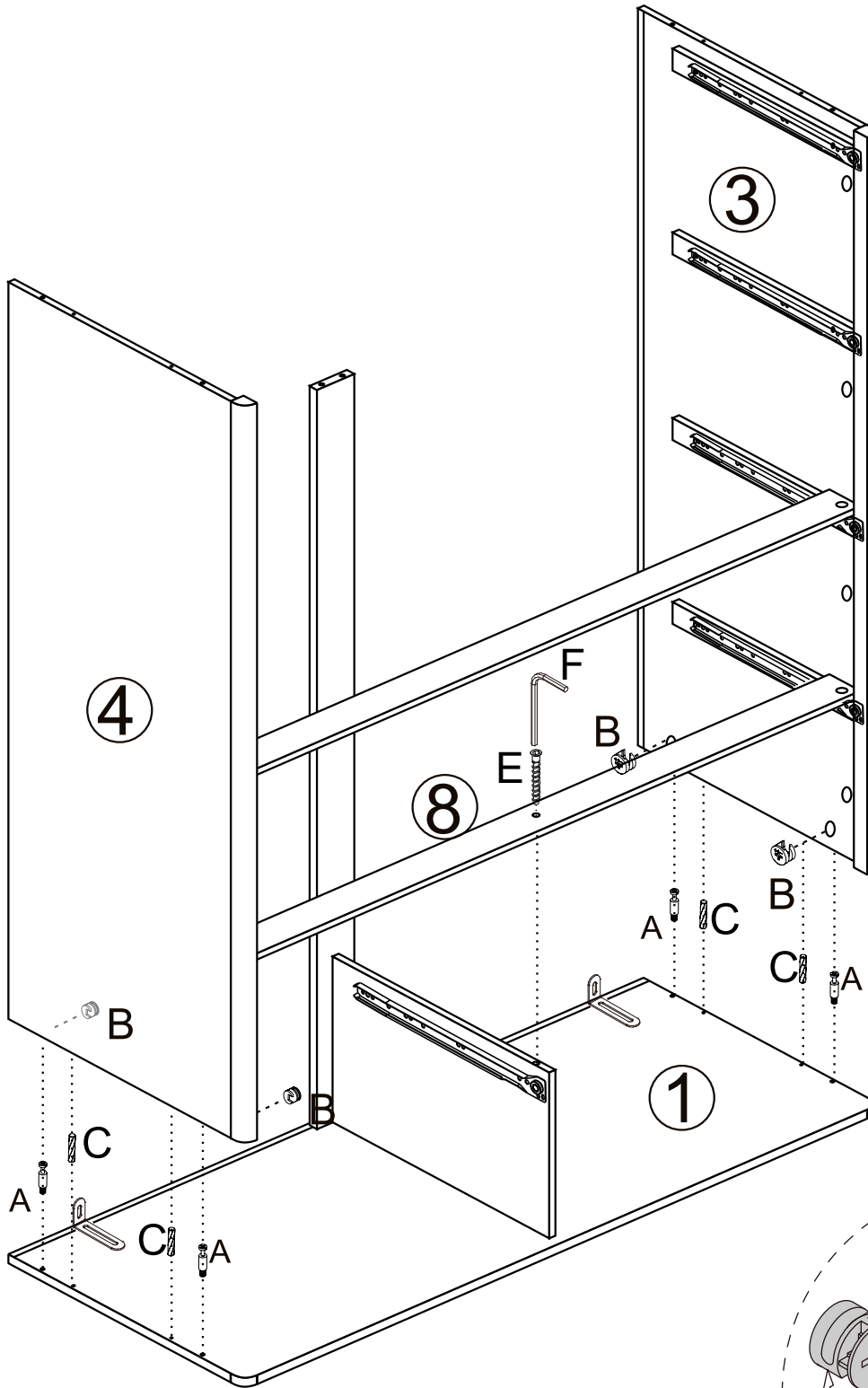
Hardware Needed		
A		x4
B		x4
C		x2
M		x2
L		x2



STEP 9:

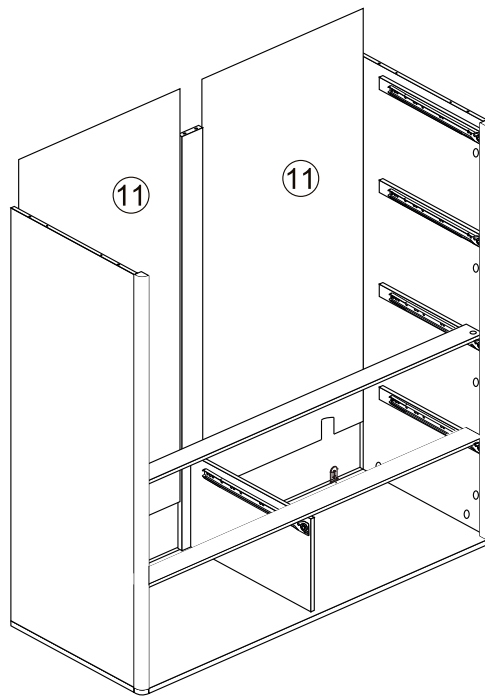
- Attach Top with chest frame by hardware A,B,C,E.

Hardware Needed		
A		x4
B		x4
C		x4
E		x1
F		x1






STEP 10:

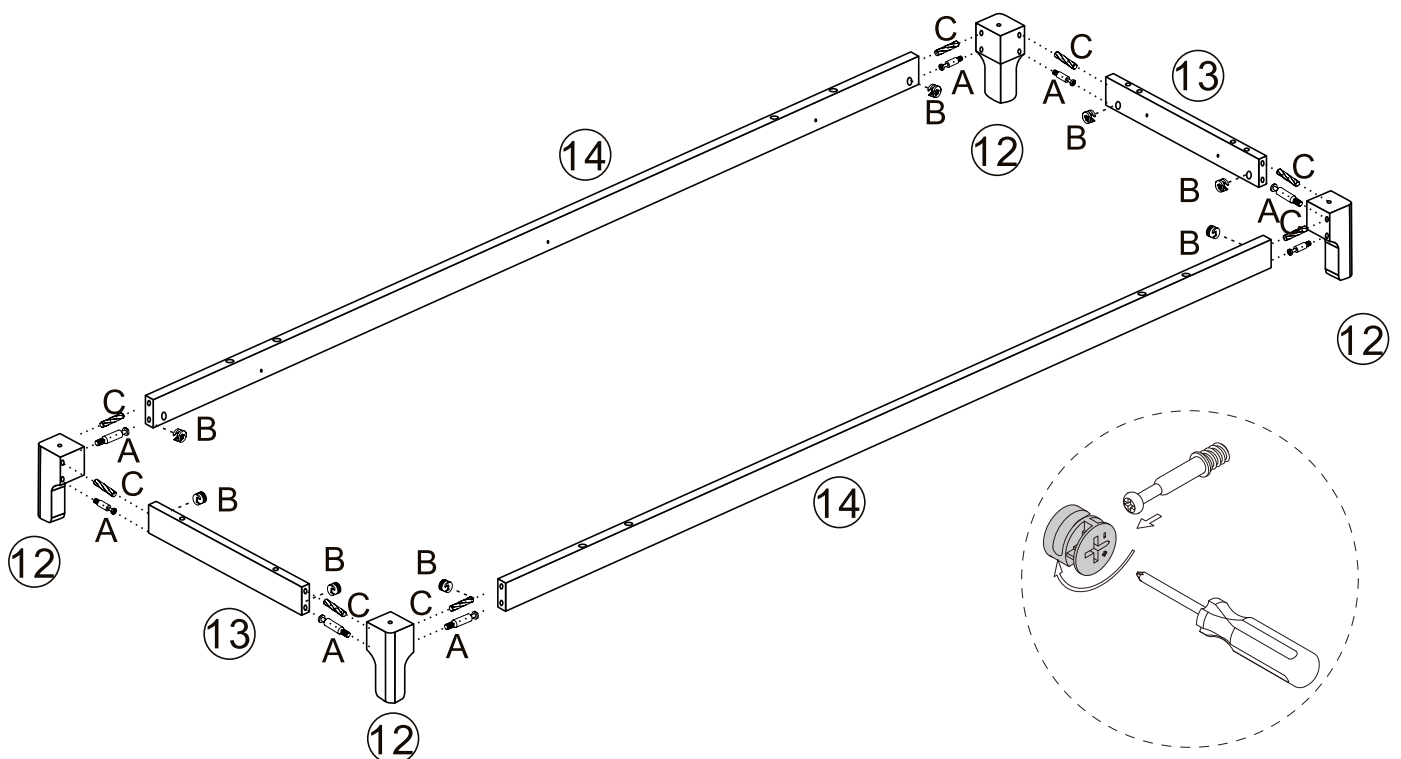
- Attach the Back Panel 11.



STEP 11:

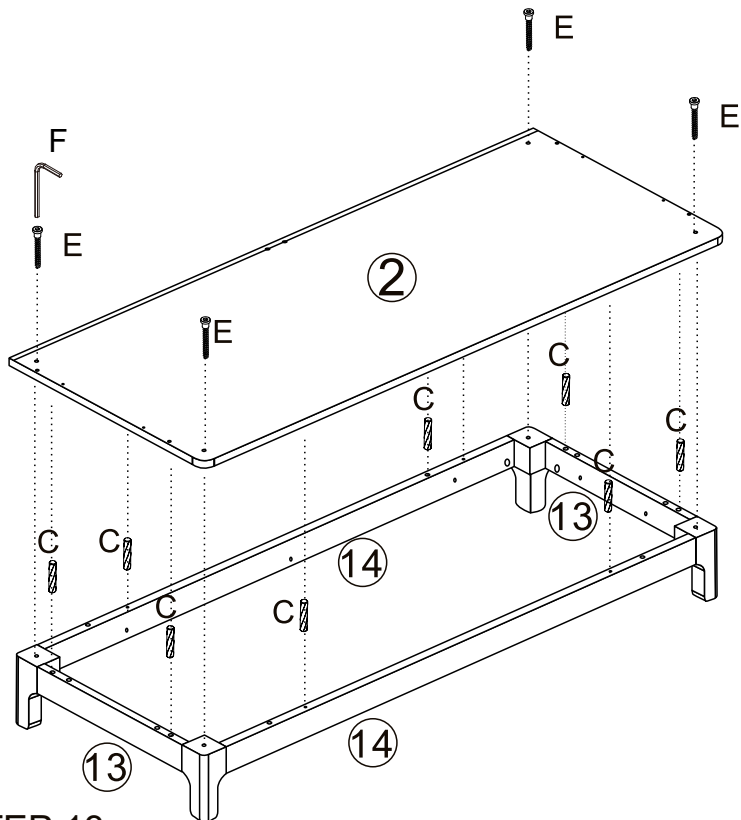
- Assemble Leg 12 with base rail 13,14 by hardware A,B,C.

Hardware Needed		
A		x8
B		x8
C		x8






**STEP 12:**

- Attach the Bottom Panel 2 onto base frame by hardware C,E.

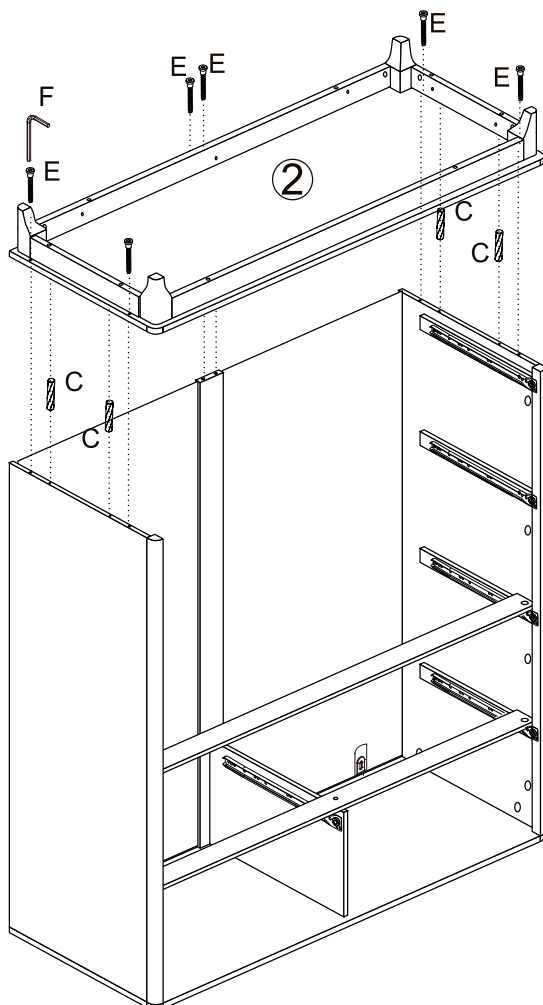


**Hardware Needed**




C		x8
E		x4
F		x1

**STEP 13:**

- Attach the bottom to chest frame by hardware C,E.






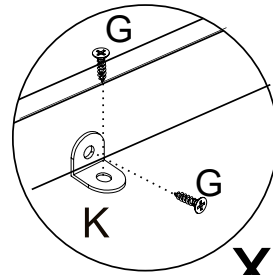
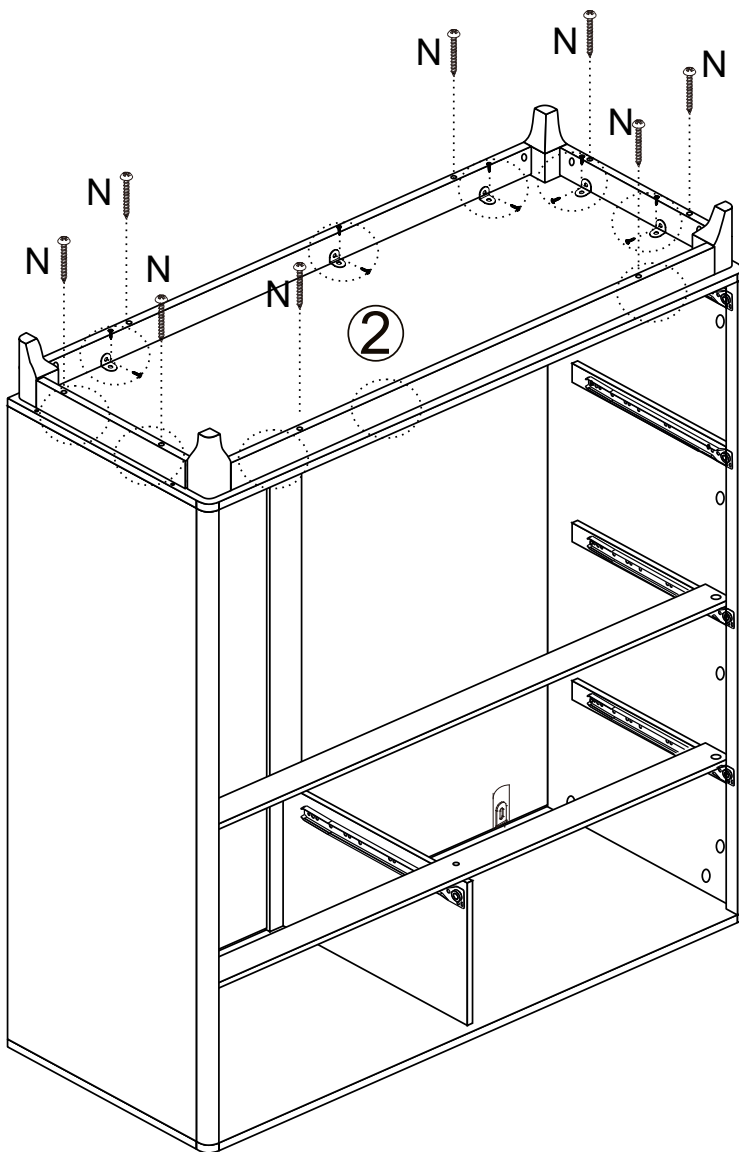
**Hardware Needed**

C		x4
E		x6
F		x1

STEP 14:

- Secure the Metal Brackets K onto bottom by hardware G.
- Secure the frame rail on bottom by hardware N.

Hardware Needed		
K		x10
G		x20
N		x8

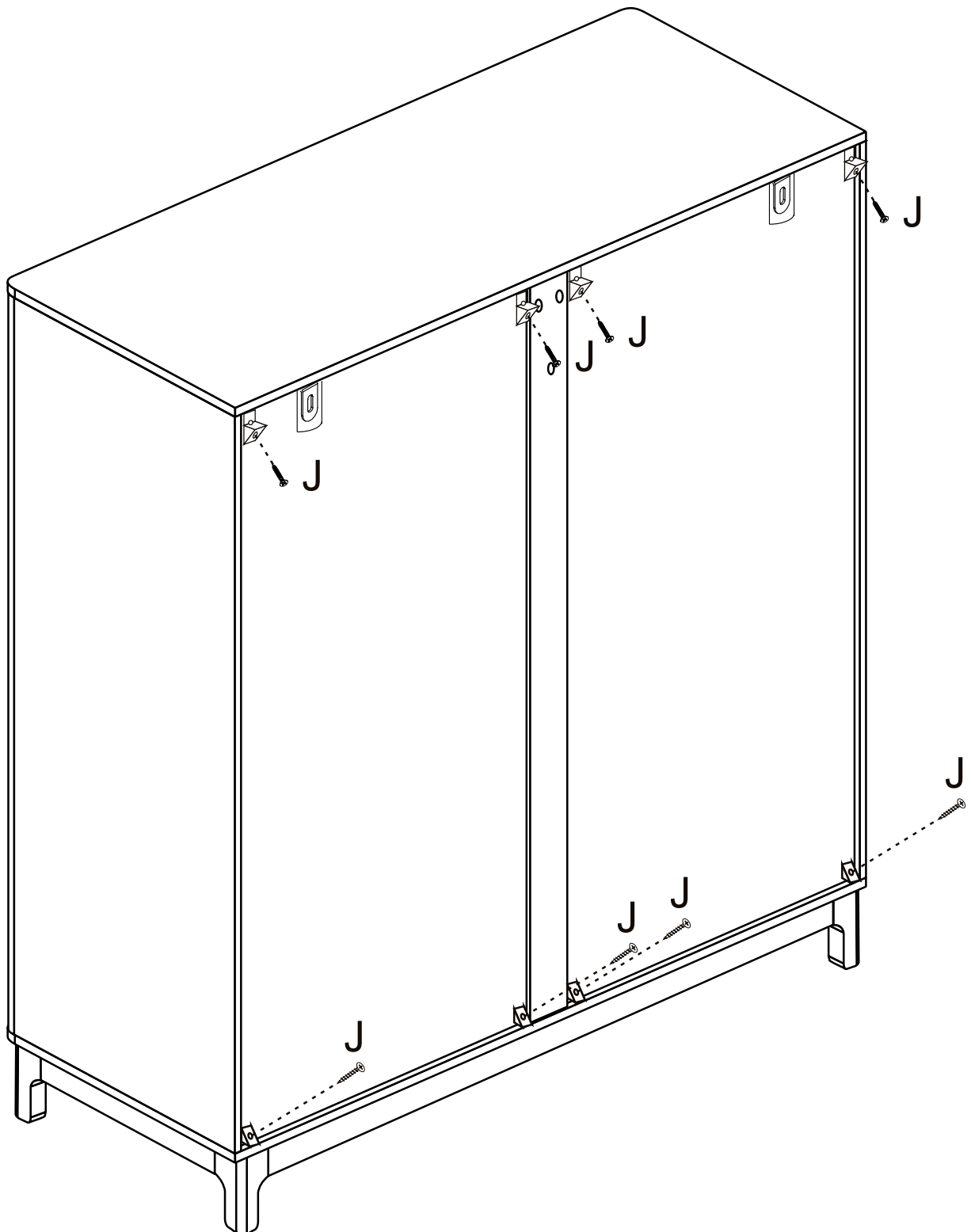


x10

STEP 15:

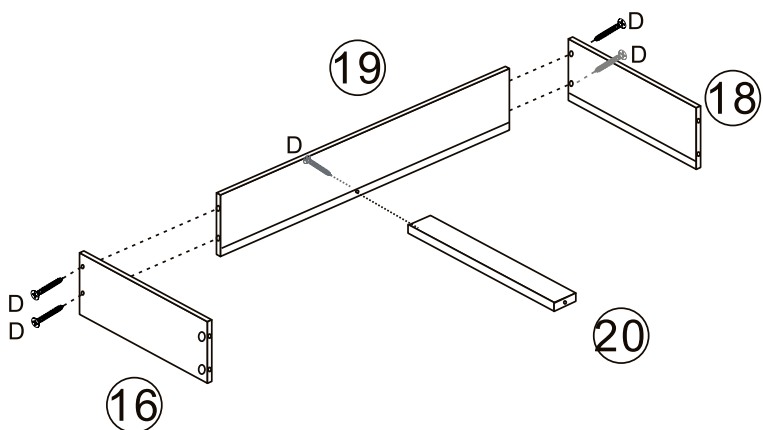
- Attach the hardware J on back.

Hardware Needed			
J			x8

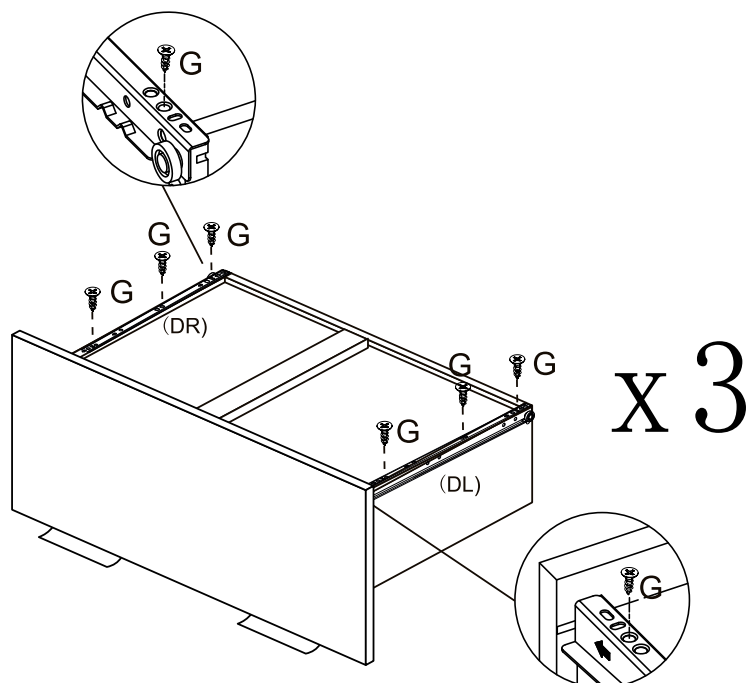
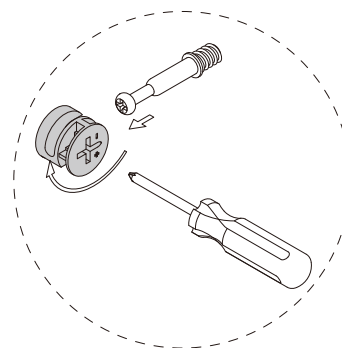
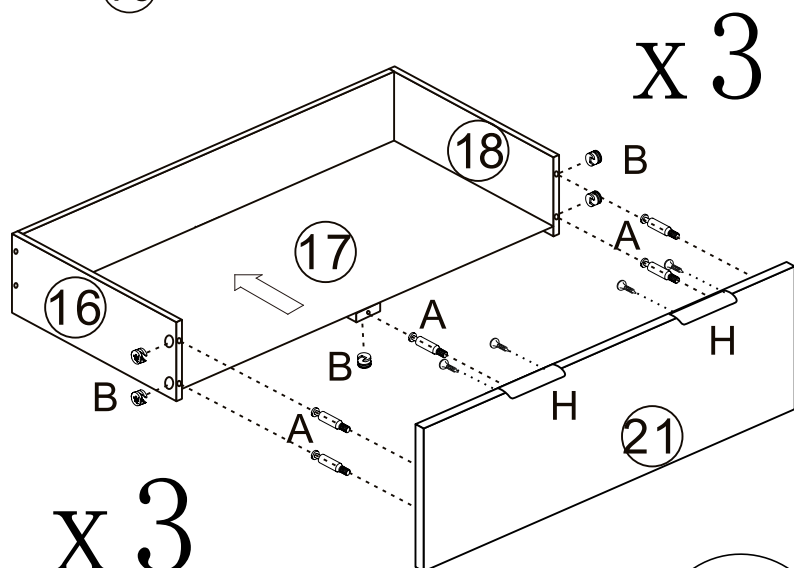


STEP 16:

- Assemble the Drawer Side Panel 16, Drawer Right Panel 18, Drawer Back Panel 19 and Drawer Bottom Rail 20 by hardware D.
- Attach the Bottom Panel 17.
- Secure the Handle H
- Assemble the Drawer Front Panel 21 with frame by hardware A, B
- Secure DL, DR by hardware G



Hardware Needed		
DL		x3
DR		x3
G		x18
H		x6
D		x15
B		x15
A		x15



**STEP 17:**

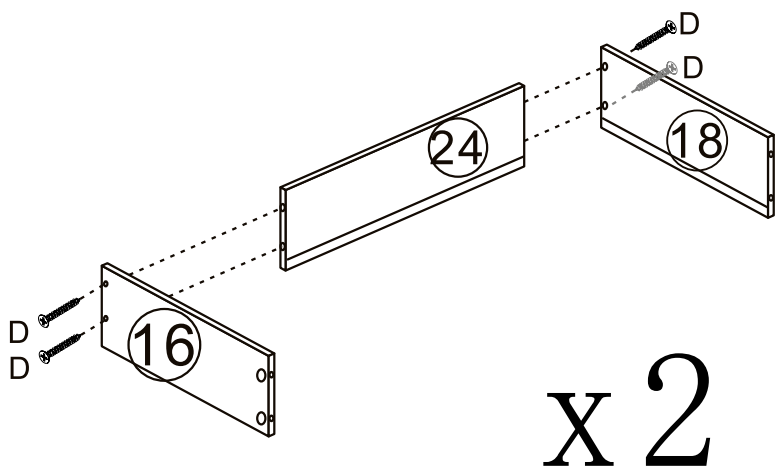
Assemble the Drawer Side Panel 16, Drawer Right Panel 18, Drawer Back Panel 24 by hardware D.

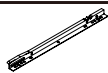
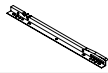

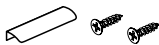


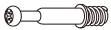
Attach the Bottom Panel 15.

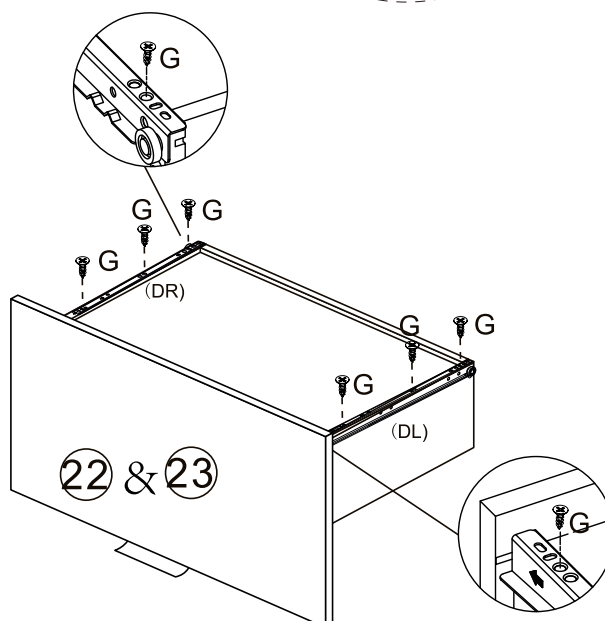
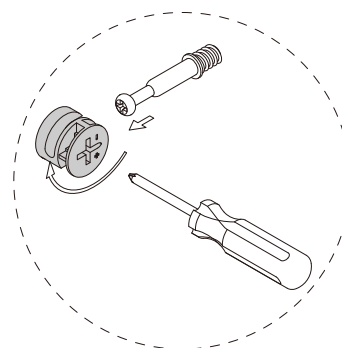
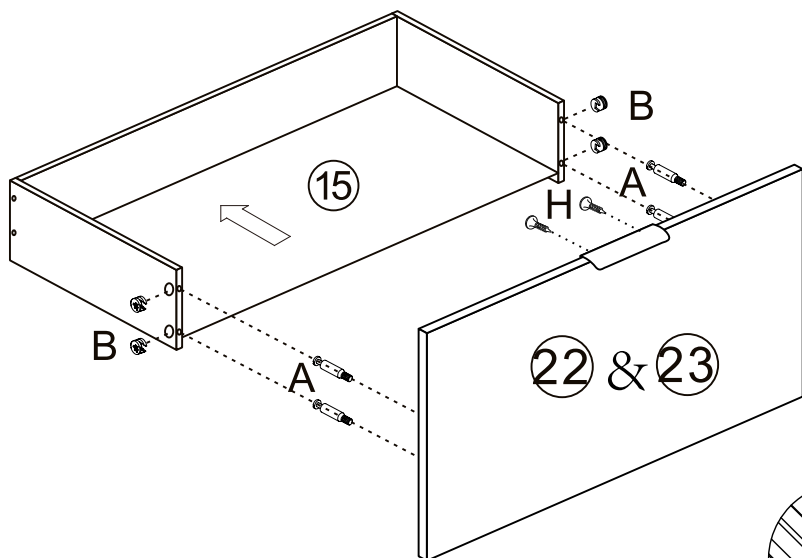
Secure the Handle H

Assemble the Drawer Front Panel 22, 23 with frame by hardware A, B

Secure DL, DR by hardware G



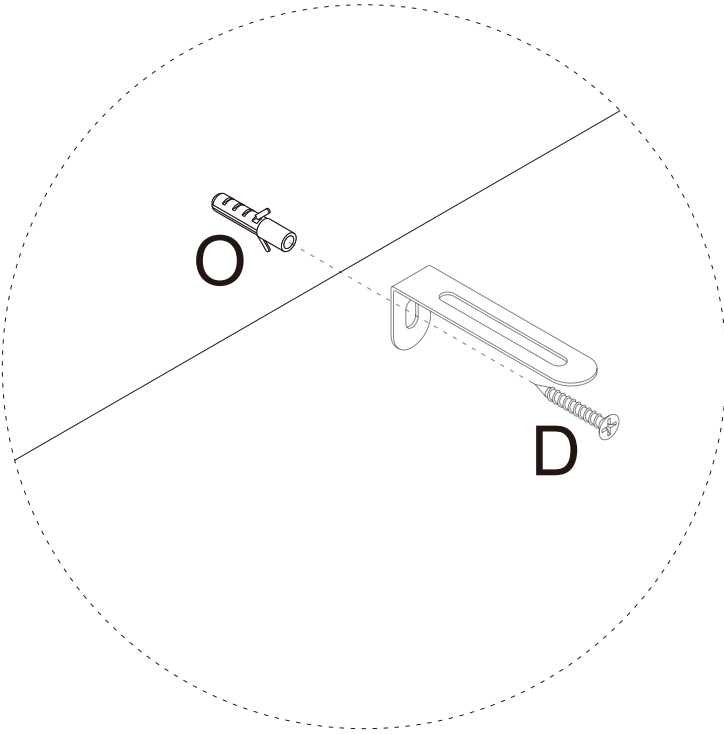
Hardware Needed		
DL		x2
DR		x2
G		x12
H		x2
D		x8
B		x8
A		x8





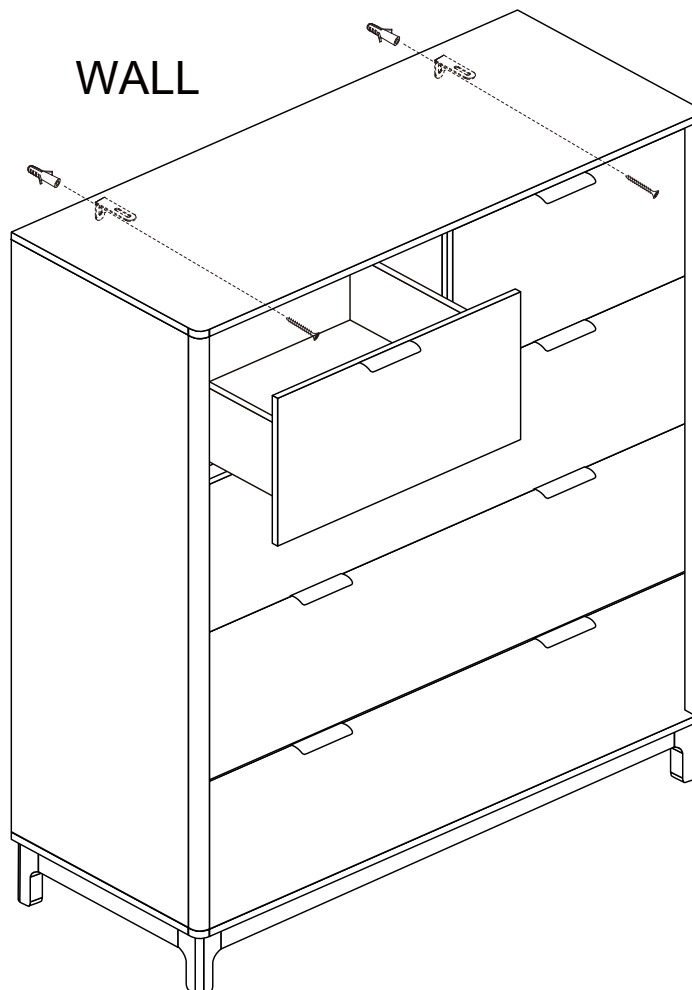
# SAFETY BRACKETS INSTRUCTIONS

## STEP 18:

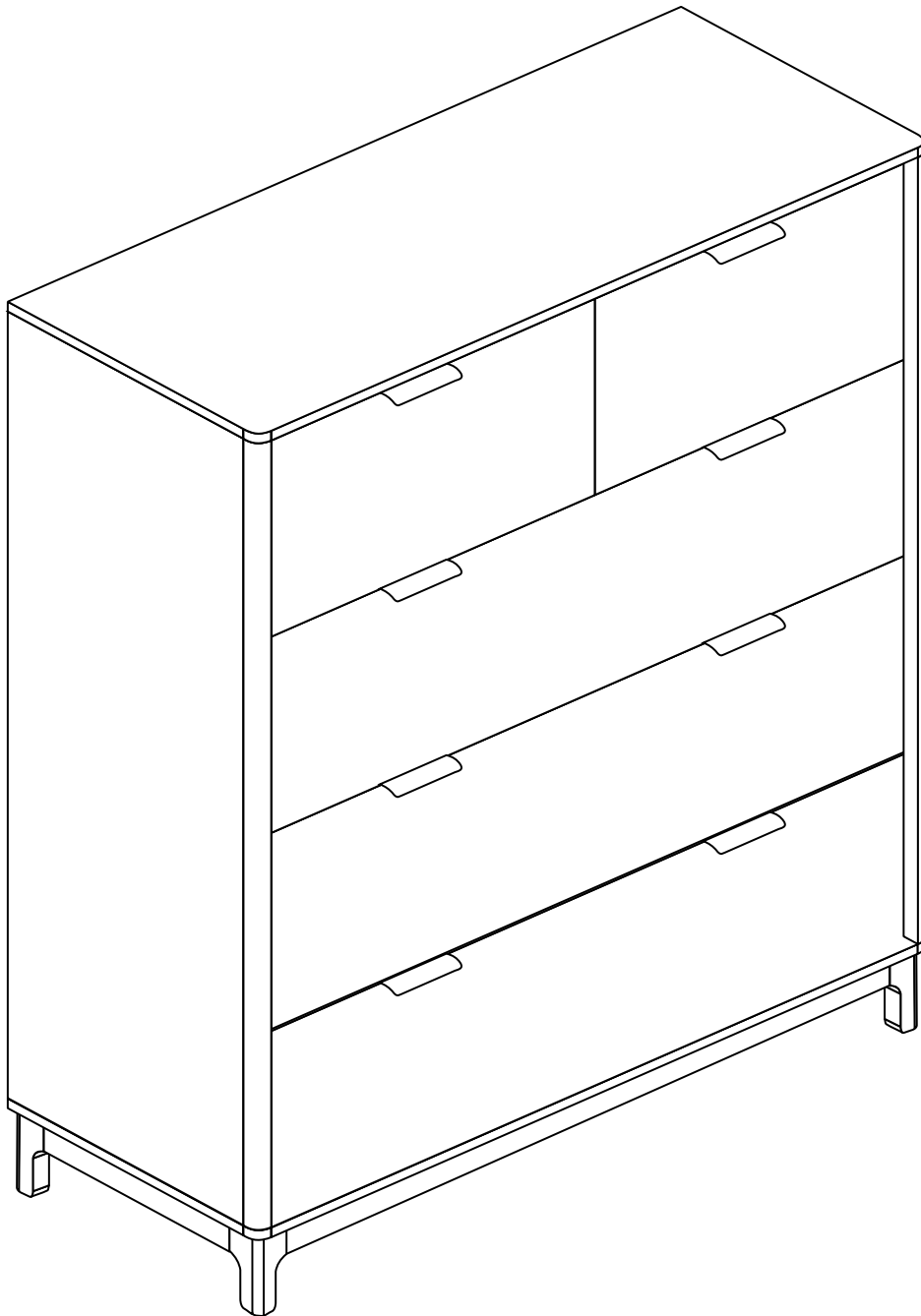
- Secure the safety bracket onto wall by hardware D,O.



Hardware Needed		
D		x2
O		x2



Finished



## **PRODUCT CARE:**

To protect your furniture, we suggest the following:

- Avoid placing your furniture in direct sunlight.
- Do not place furniture directly under windows.
- Do not place sharp materials (knife, fork, etc.) directly onto your furniture as sharp material may scrape and damage the finish.
- Do not place material with high temperature directly onto the surface of your furniture.
- Clean up spills quickly. Water left over a prolonged period of time may cause damage. Alcohol, perfume, nail polishes, aftershave and some medication may cause severe finish damage if not cleaned immediately.
- Use a clean, soft, dry, lint free absorbent cloth to clean your furniture. Do not use any detergent as they may contain ingredients that may react and damage the finish.